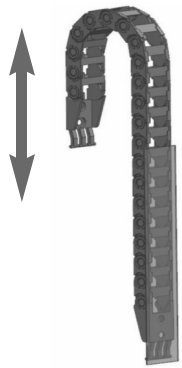
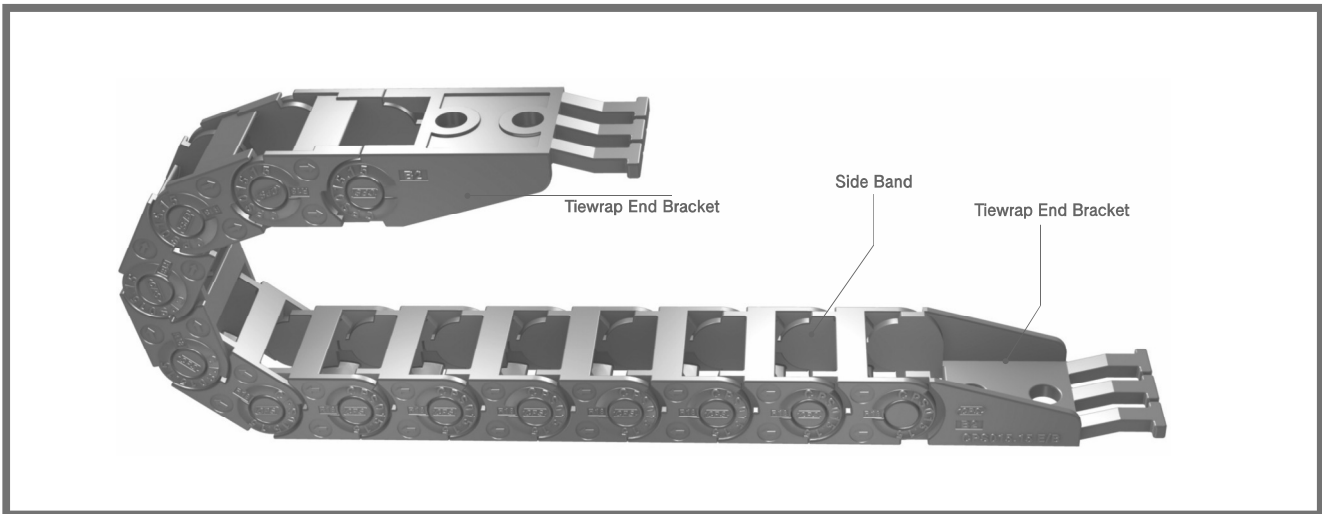
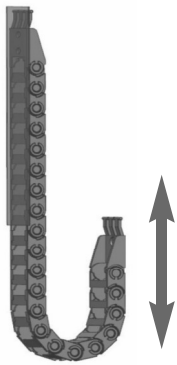


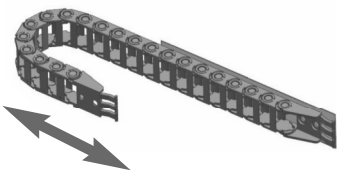
CPS 015



Vertical with curve above



Vertical with curve below



Horizontal application mounted on its side

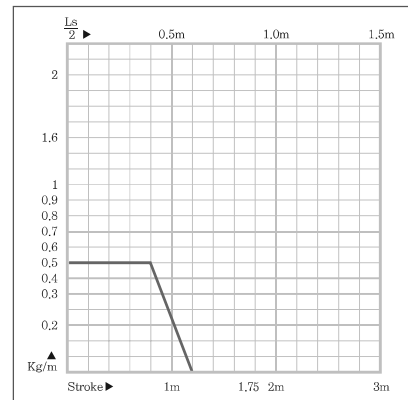
» Calculation of the chain length

$$\left[L = \frac{L_s}{2} + L_p \right]$$

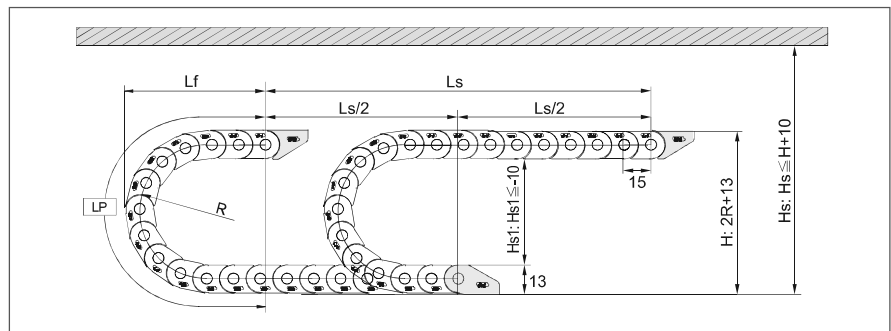
» Other installation length

Vertical curve above = max 0,8m
 Vertical curve below = max 3,0m
 Side Mounted, Unsupported = max 0,2m

» Load diagrams self-supporting length



» Layout of the chain



Bending Radius (R)	Lp Loop Length	Lf Loof Projection	H Moving Height
18	117	55	49
28	148	65	69
38	180	75	89

(Dimensions in mm)

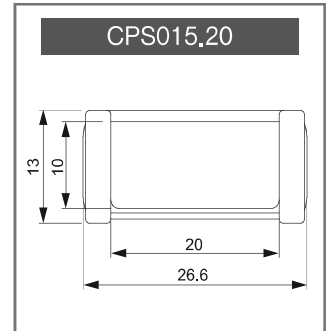
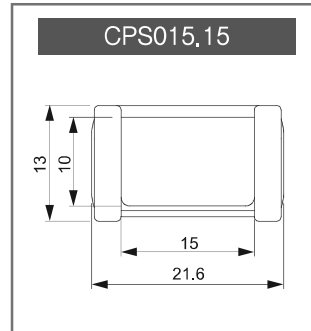
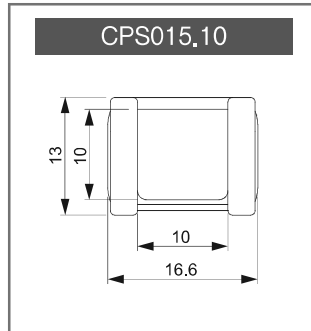
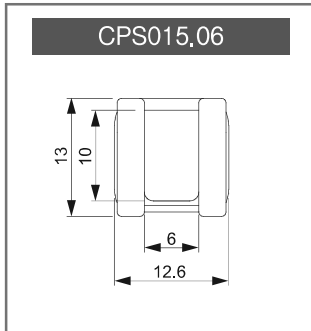
» Chain radius, Weight

Chain Type	Bending Radius (R)	Weight kg/m
CPS 015,06	18, 28, 38	0,100
CPS 015,10		0,106
CPS 015,15		0,111
CPS 015,20		0,115

(Dimensions in mm)

» Chain cross section

(Dimensions in mm)



» End bracket (Tie wrap type)

(Dimensions in mm)

