

Series CSN proximity switches

Reed switch



It is designed so that it can be fixed directly on the tie-rod by means of two screws which assure the position longitudinal to the cylinder axle; and with a third screw for the anti-rotation positioning. The three terminals are indicated by the numbers 1, 2 and 3 and enable the following connections to be made (see the scheme).

The electrical proximity switch Mod. CSN 2032-0 consists of a Reed switch complete with an electronic protection circuit and a red LED indicator. The resin inside the casing ensures high protection and insulation.

GENERAL DATA

Mod.	CSN 2032-0
Voltage	from 12 to 220V AC and DC
Protection	IP54 / IP65 with connector DIN 43650
Material	glass-reinforced PA
Mounting	bracket for tie rod $\varnothing 6 + \varnothing 10$
Signalling	integrated red LED
Electrical connection	DIN 43650 connector, Mod. 122-800
Max. current	1.5 A
Max. load	20 W DC - 30 VA AC
Actuating time	≤ 2 ms
Actuating tolerance	± 1 mm
Operating temperature	- 25°C + 75°C
Type of contact	NO (normally open)

TECHNICAL DATA

CONNECTION

- For inductive loads = solenoid valves, electrical magnets, relay.
- To connectors = terminals 1 - 2
- For capacitive loads = circuit with remaining tension (see PLC controls)
- To connectors = 1 - 3

Note: For connections with wires of approximately 10m, the connection shall be made as for a capacitive load.

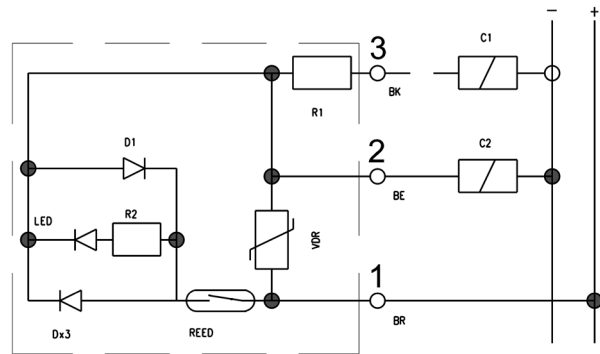
MAXIMUM LOADS

For maximum loads see relative diagram, those loads are valid only for inductive loads. For capacitive loads, using clamp 3 (or black wire) load must not exceed 80 mA and load must be given by PLC or, for electrical circuits, by microrelay or micro solenoid valves with 2W maximum consumption.

Note: When operating with direct current, clamp 1 must always be connected to the positive outlet (+). In cases where commands are given from the PLC and logic NPN, clamp 1 must be connected to the inlet. In cases where commands are given from the PLC and logic PNP, clamps 2 or 3 must be connected to the inlet.

LEGEND:

- C1 = capacitive load
- C2 = inductive load



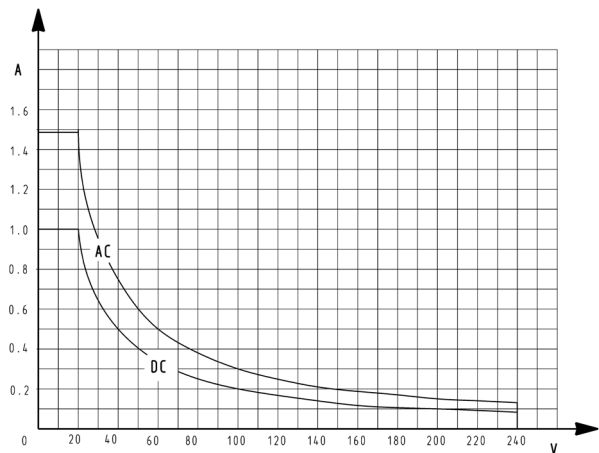
Maximum contact load

The maximum load (W) which the contacts are able to tolerate is that indicated in the section "General data", i.e.

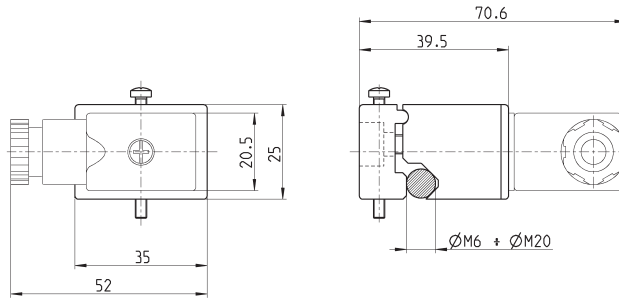
- 20 W for direct current (DC)
- 30 VA for alternating current (AC)

The effective load allowed depends on the operating voltage (minimum 12 V, maximum 220 V) as shown in the following graph.

Note: this graph was obtained from practical tests performed using a load consisting of our Series A and 6 solenoid valves, at an operating speed of one stroke per second. For higher operating speeds, you are advised to contact our technical department.

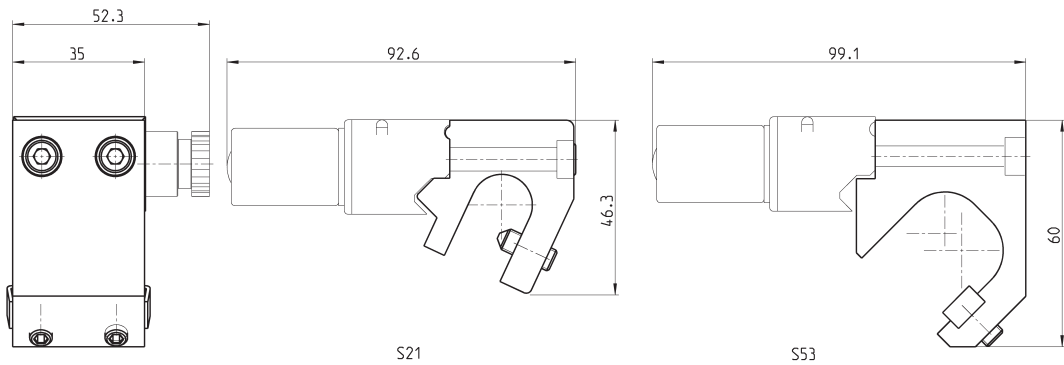


Switches Series CSN



Mod.	for cylinders Series 40 - ø 160 + 200	for cylinders Series 40 - ø 250 + 320	for cylinders Series 41 - ø 160 + 200
CSN 2032-0	mounting band to be ordered separately	direct mounting	mounting band to be ordered separately

Mounting bracket for sensor



Mod.	
S21	for cylinders Series 40 ø 160 and 200
S53	for cylinders Series 41 ø 160 and 200